



Please note that the following installation/Cutout guide for Reveal should **NOT BE PRINTED** and used as a template. A template will be supplied with your item.

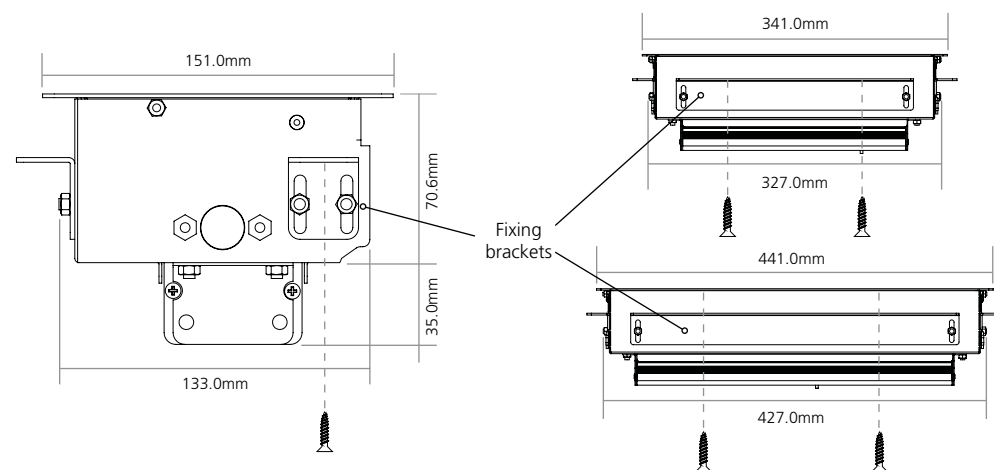
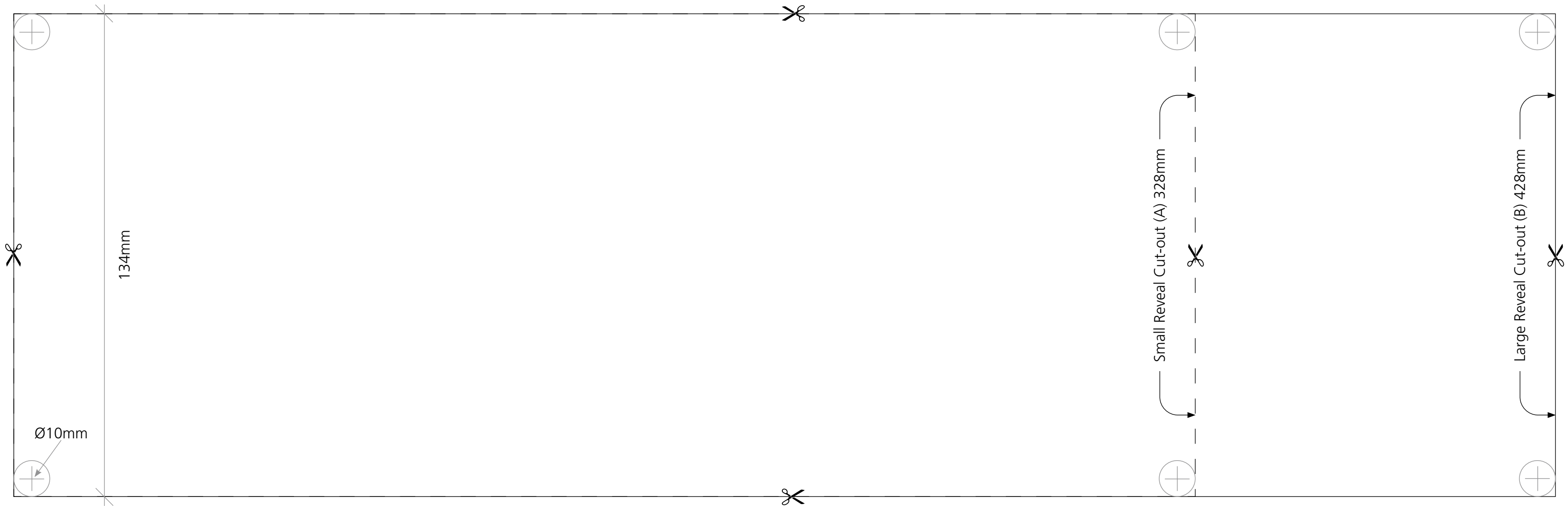
The dimensions below are meant as a guide only. Please double check your marking out against the unit before cutting into the furniture. All measurements have a $\pm 1\text{mm}$ tolerance to allow for errors while cutting.

If you require a physical template please contact our Technical Sales Team on +44 (0) 1709 829511 or e-mail sales@cmd-ltd.com, who will be able to arrange a physical copy of this template document to be sent out.



Reveal - Cut-out Guide

Important: The dimensions below are meant as a guide only. Please double check your marking out against the unit before cutting into the furniture. All measurements have a $\pm 1\text{mm}$ tolerance to allow for errors while cutting.



Instruction Guide

1. Pick a suitable position on the furniture ensuring there is sufficient clearance between the unit and the desk subframe.
2. Unpack the product and using the relevant template above (A for Small Reveal or B for Large Reveal) mark out and cut the aperture in the furniture.
3. The three fixing brackets must first be removed before lowering the unit into the aperture in the furniture.
4. Once in position the fixing brackets and nuts can be refitted on the underside of the furniture, pushing them up as far as they go before tightening the nuts. The unit can be secured using the screws provided if suitable for the furniture.

Note: All and any works must be carried out in accordance with the appropriate Health & Safety regulations. The unit contains no user serviceable parts. The retrospective installation of accessories must only be carried out by employees of CMD Ltd. Any failure to comply will invalidate any warranty.