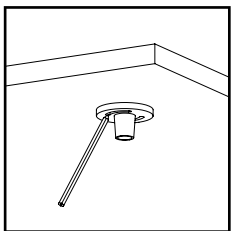
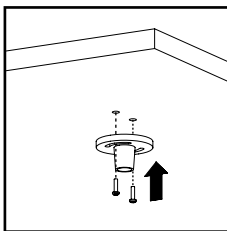


Cableway shown fully assembled for illustration purposes. Cableway is supplied without fixings. Ensure to use fixings suitable for the intended furniture. Consult with your furniture supplier if necessary.

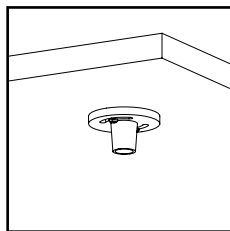
Installing the top fixing bracket



Use the top fixing bracket to mark the location of the fixing holes.

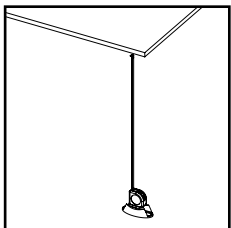


Use 2x suitable screws to secure the top fixing bracket to the underside of the desk.

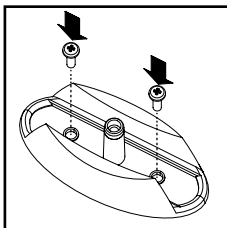


Ensure the bracket is secure but do not overtighten.

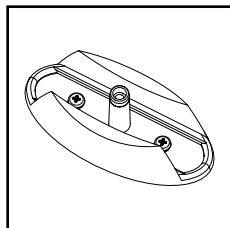
Installing the base plate



Use a tape measure or similar to align the base plate with the top fixing bracket.

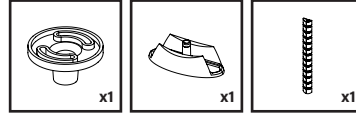


Fix the base plate to the floor with 2x suitable screws if required.

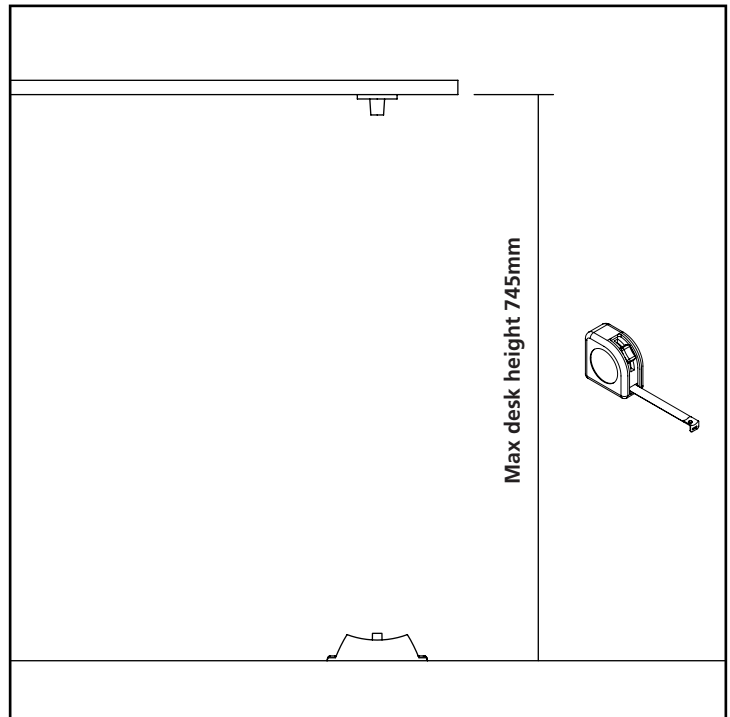


Ensure the base plate is secure in place but do not overtighten the fixings.

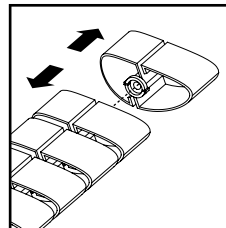
Contents



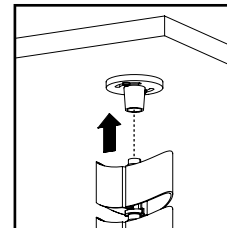
Installing the connecting blocks



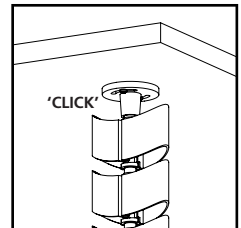
Measure the distance between the top fixing bracket and the base plate. Note the Cableway is suitable for a maximum desk height of 745mm.



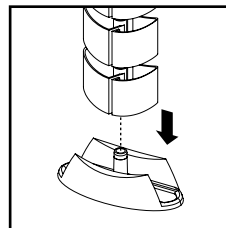
Adjust the length of the connecting blocks to suit the desk height by adding/removing blocks.



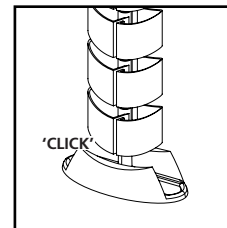
Offer up the top end of the connecting blocks to the top fixing bracket as shown.



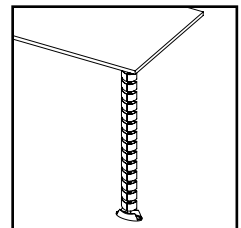
Push the block into the top fixing bracket until it clicks into place. Check it is secure.



Offer up the bottom end of the connecting blocks to the base plate as shown.

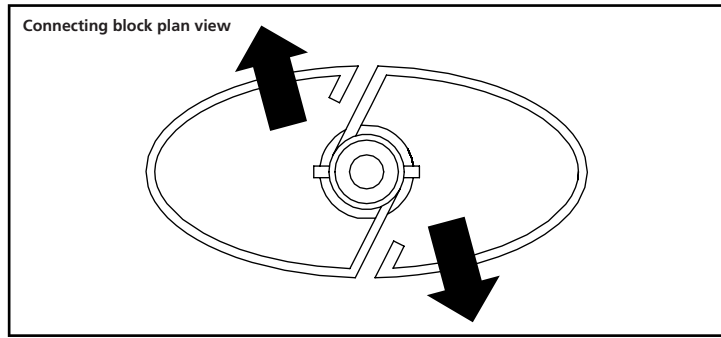


Fully push the block onto the base plate until it clicks into place. Check it is secure.

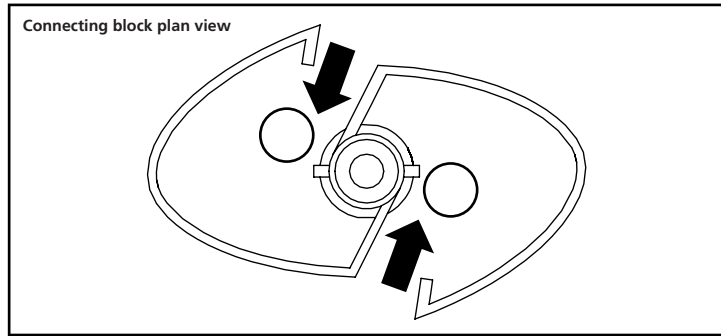


The Cableway is now installed and ready to accept cables.

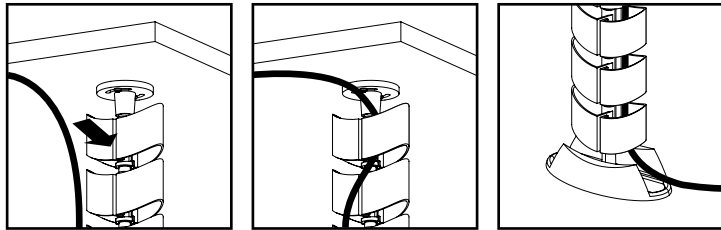
Cable management



The sides of the connecting blocks can be flexed outwards to allow cables to be inserted. Be careful not to over-flex or breakage may occur.



The cables shown being inserted into the connecting block. It is advised to keep power and data cables segregated if possible.

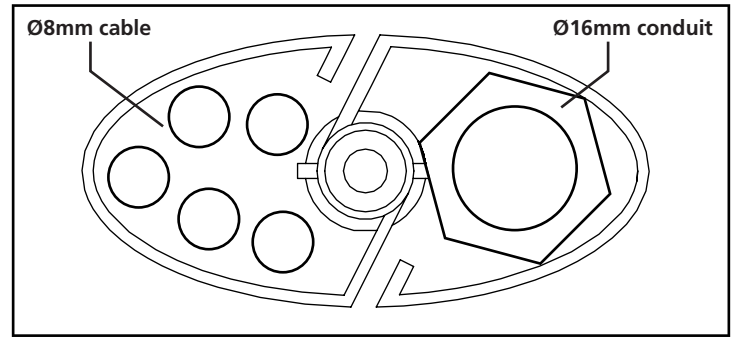


Offer up the cable to the first connecting block at either the top or bottom of the desk.

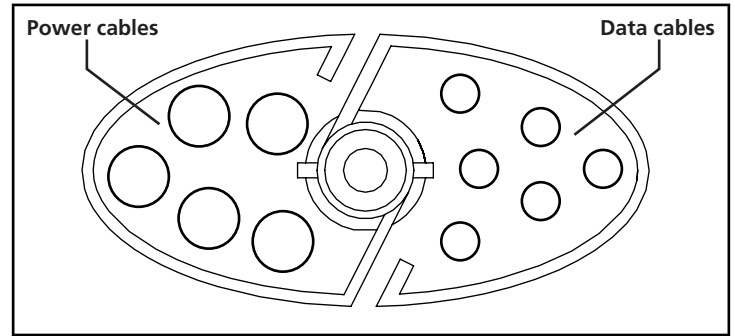
Flex the connecting block open and feed in the cable as shown.

Repeat the process until the cable can be fed out of the last connecting block.

Cable/conduit capacity



The Cableway can accommodate 5x Ø8mm cables per channel with adequate space around and 1x Ø16mm conduit per channel.



Cableway is designed to allow power and data cables to be segregated as shown.

Additional information

Safety

- Ensure the screws used for installation are suited to the furniture material. Contact your furniture supplier for a recommendation if necessary.
- Installation is to be carried out in accordance with relevant Health & Safety regulations and only to be carried out by a skilled or competent person.
- Product to be used only for the intended purpose of supporting power and data cables in office and commercial environments.
- Do not misuse the product because doing so will invalidate the warranty.

Product care

- Clean using a dry cloth. No abrasives or solvents to be used on the product.
- Do not drop or expose to moisture.

