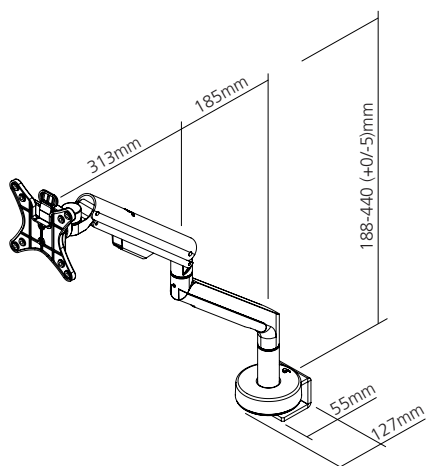


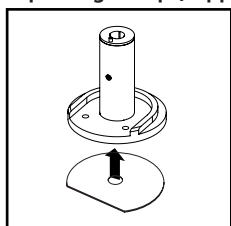
Dimensions

Designed to fit onto desks of 19-30mm thickness with supplied top fixing clamp. A split fixing clamp can be supplied separately to fit a desk thickness of 5-35mm.

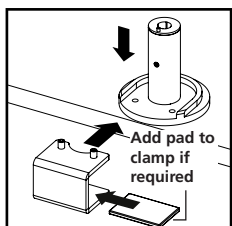


Mounting the base to the desk

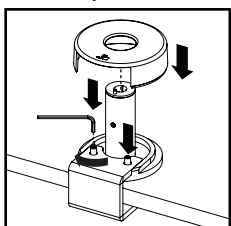
Top fixing clamp (supplied with both Reach and Reach HD)



Ensure the foam pad is applied to the bottom of the base to protect the desk surface.

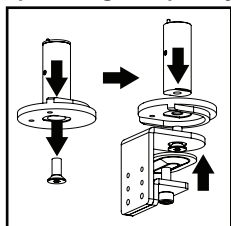


Place base on desk with recess facing the edge. Offer up the clamp to the base as shown.

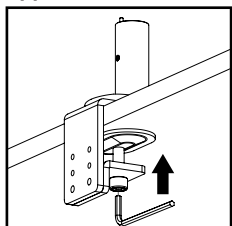


Use 4mm Allen key to fix in place. Lower the clamp cover into place. No fixings required.

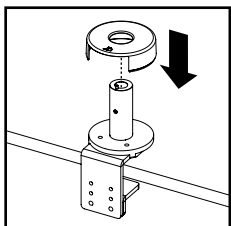
Split fixing clamp (only supplied with Reach not Reach HD)



Invert the spreader on the base and attach the split fixing clamp as shown.

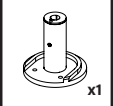
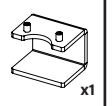
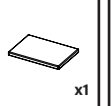
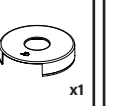
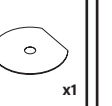
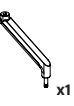
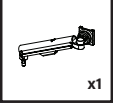
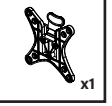
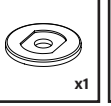
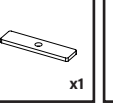
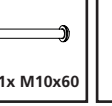


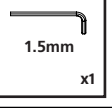
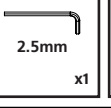
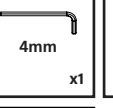
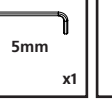

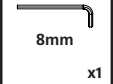



Place base on desk as shown and tighten bolt with supplied Allen key to secure in place.



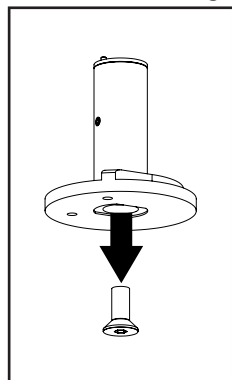
Once clamp is secured in place, lower the clamp cover into place. No fixings required.

Contents

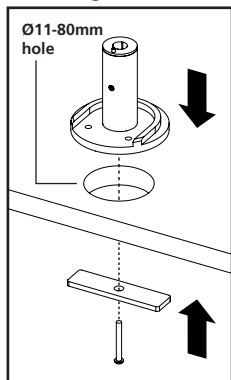
 x1	 x1	 x1	 x1	 x1	 x1
 x1	 x1	 x1	 x1	 1x M10x60	 4x M4x12 4x M4x16
 2x M8X20	 1.5mm x1	 2.5mm x1	 4mm x1	 5mm x1	 6mm x1
 8mm x1	Supplied only with Reach		 x1		

Mounting the base to the desk (continued)

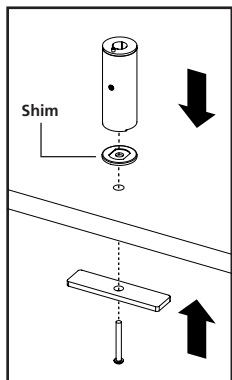
Grommet and through desk fixing



Remove the bolt from the base. Place the base and stem in place on the desk.

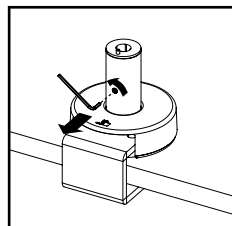


Secure in place with the supplied grommet plate and M10x60mm hex socket bolt.

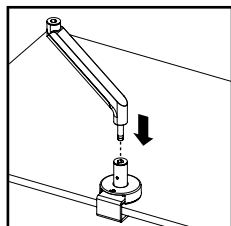


Use the shim for a clean look on rails or through desk fixing options.

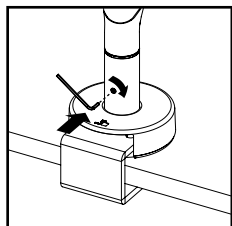
Installing the arm



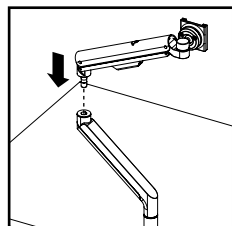
Use 2.5mm Allen key to loosen grub screw and allow arm assembly to drop into base stem.



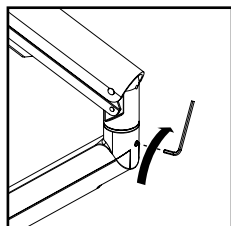
Carefully insert the pin at the bottom of the arm assembly into the base stem.



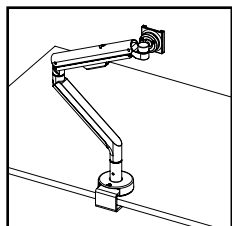
Tighten the grub screw to secure the lower arm assembly in place. Do not overtighten.



Carefully insert the pin at the bottom of the upper arm assembly into the lower arm assembly.

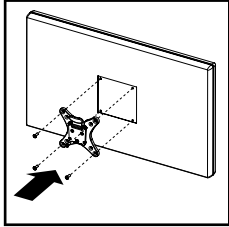


Tighten the grub screw to secure the upper arm assembly in place. Do not overtighten.

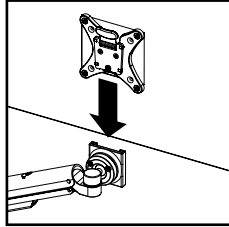


The arm is now fully assembled and ready for the monitor to be installed.

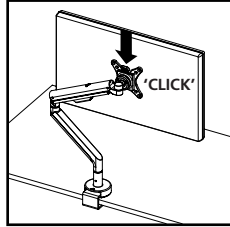
Installing a monitor



Fix the quick release VESA with the supplied VESA screws as shown.

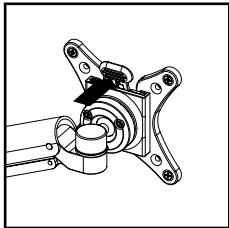


Align the raised square section on the VESA with the recess on the head mount.

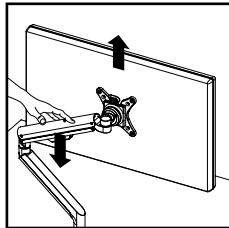


Lower the monitor onto the head mount until it clicks into place.

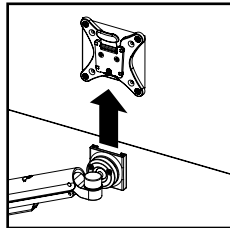
Removing a monitor



Depress the lever at the top of the VESA to release it from the head mount.

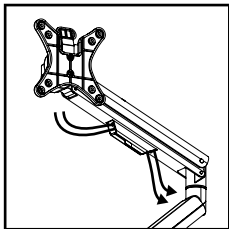


The arm may try to spring up as the weight is removed. Guide the arm to prevent this.

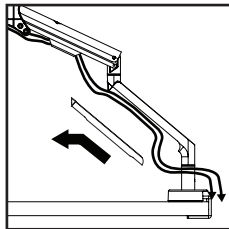


Carefully lift the monitor up and away from the arm.

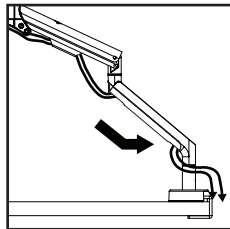
Cable management



Feed the cables through the built in cable clip on the upper arm assembly as shown.

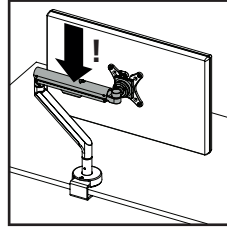


Remove the plastic cover on the lower arm assembly by sliding it up and away from the arm.

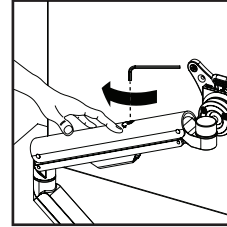


Position the cables inside the cover and slide back into place on the arm.

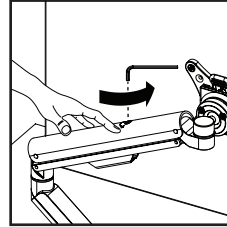
Arm adjustment



Ensure the upper arm is held down parallel to the desk before making adjustments.

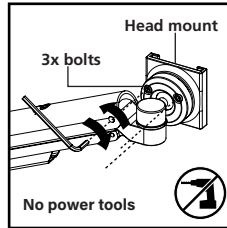


Use 6mm Allen key to turn bolt clockwise for heavy monitors. Use free hand to guide the arm.

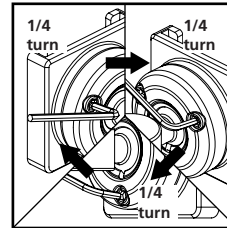


Use 6mm Allen key to turn bolt anti clockwise for lighter monitors. Use free hand to guide arm.

Additional monitor adjustment

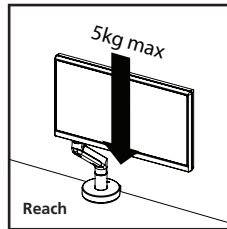


For further adjustment, use the supplied 4mm Allen key to loosen or tighten the 3x bolts.

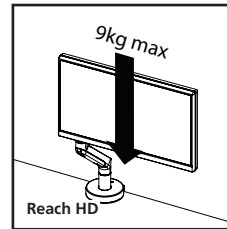


Bolts must be tightened equally, alternating between each until they are all fully tightened.

Supported load



The load range for the Reach monitor arm is from 2kg to a maximum of 5kg.



The load range for the Reach HD monitor arm is from 3kg to a maximum of 9kg.

Additional information

Safety

- Fix the clamp of the monitor arm to a suitable solid worksurface that is capable of supporting the arm and maximum loading of 5/9kg.
- Product to be used only for the intended purpose of supporting certain display equipment in an office environment.
- Installation is to be carried out in accordance with relevant Health & Safety regulations and only to be carried out by a skilled or competent person.
- The installation should be installed to comply with the relevant national standards and be inspected and tested prior to being put into service (in the UK BS 7671 Wiring Regulations or BS 6396 Office and Educational Systems Best Practice).
- Isolate the supply before installation or repositioning. Any locking mechanisms must be used and fully engaged.
- Do not misuse, dismantle or re-configure the product because doing so will invalidate the warranty.

Standards

- Refer to the Declaration of Conformity.

Product care

- To maintain the longevity of the arm's gas strut and correct function, regularly adjust the arm through it's range of motion when possible.
- Clean using a dry cloth. No abrasives or solvents to be used on the product.
- Do not drop or expose to moisture.

