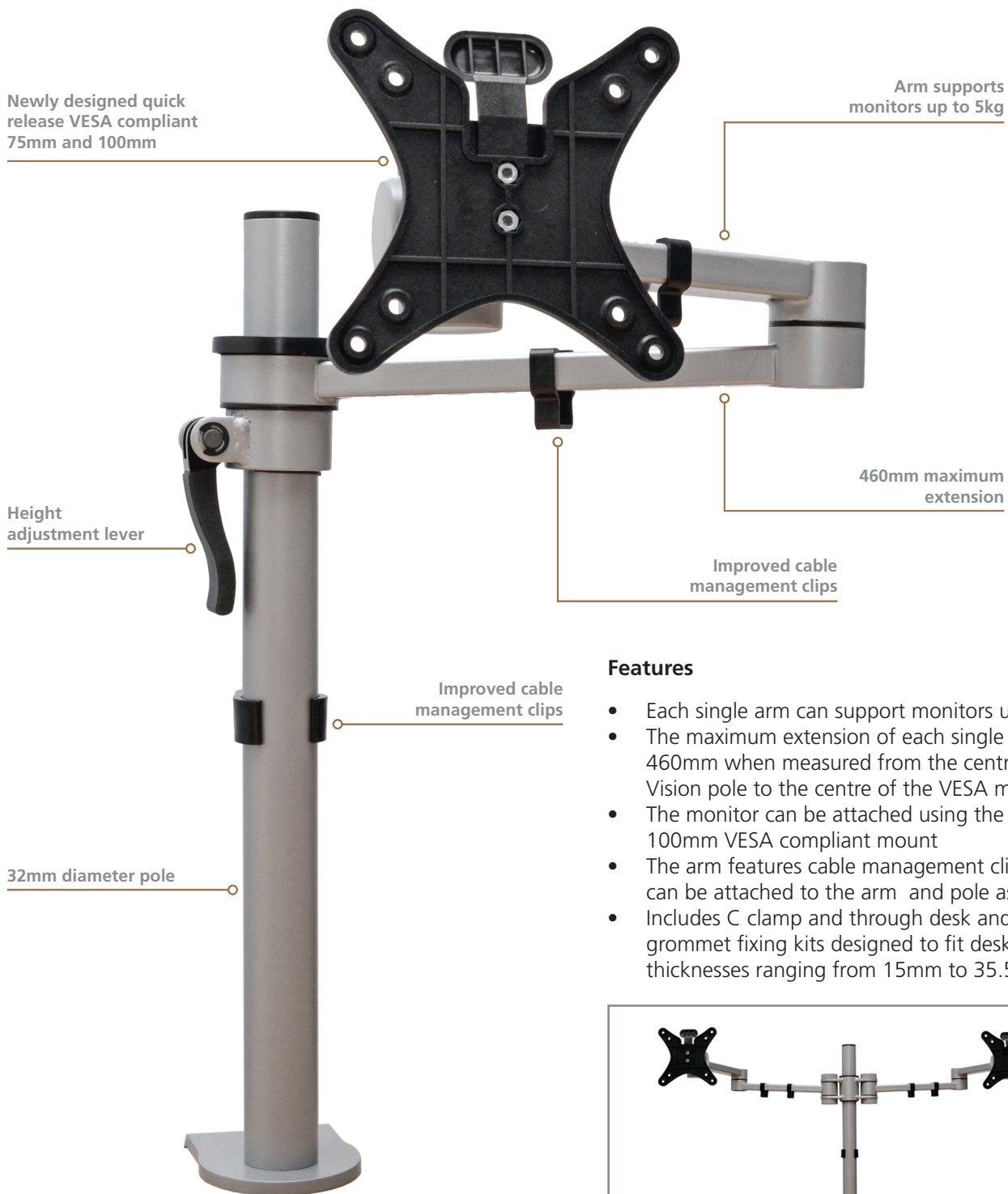


Monitor Arms

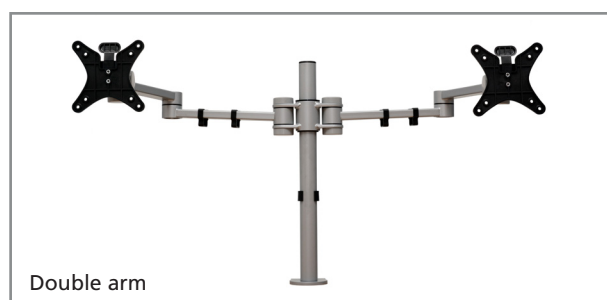
Vision S and Vision^{HD}

The Vision S and Vision^{HD} monitor arms offer the ergonomic benefits of an assisted monitor arm but are much more affordable. Vision S supports monitors up to 5kgs and Vision^{HD} supports monitors up to 10kgs. Both arms allow 330mm of height adjustment to help the user position the monitor at the optimum eye level.

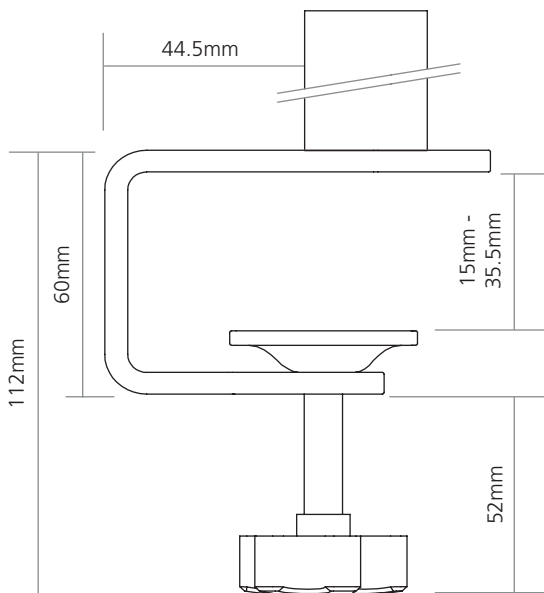


Features

- Each single arm can support monitors up to 5kg
- The maximum extension of each single arm is 460mm when measured from the centre of the Vision pole to the centre of the VESA mount
- The monitor can be attached using the 75mm or 100mm VESA compliant mount
- The arm features cable management clips that can be attached to the arm and pole as required
- Includes C clamp and through desk and grommet fixing kits designed to fit desk thicknesses ranging from 15mm to 35.5mm



C clamp



Vision S Single Arm

Code	Colour	Description
68V001	Silver	Single Vision S pole arm with C clamp, Bolt Through and 80mm Grommet fixing kit. With black plastic trim. Supports 5kgs
68V002	Black	Single Vision S pole arm with C clamp, Bolt Through and 80mm Grommet fixing kit. With black plastic trim. Supports 5kgs
68V003	White	Single Vision S pole arm with C clamp, Bolt Through and 80mm Grommet fixing kit. With white plastic trim. Supports 5kgs

Vision S Double Arm

Code	Colour	Description
68V004	Silver	Double Vision S pole arm with C clamp, Bolt Through and 80mm Grommet fixing kit. With black plastic trim. Supports 2x 5kgs
68V005	Black	Double Vision S pole arm with C clamp, Bolt Through and 80mm Grommet fixing kit. With black plastic trim. Supports 2x 5kgs
68V006	White	Double Vision S pole arm with C clamp, Bolt Through and 80mm Grommet fixing kit. With white plastic trim. Supports 2x 5kgs

Note: The alignment of some double screen and multiscreen systems may vary with an accepted tolerance of +/- 5mm.

Vision S Poles

Code	Colour	Description
68V022	Silver	Vision S 750mm Pole with C clamp, Bolt Through and 80mm Grommet fixing kit with black cap
68V023	Black	Vision S 750mm Pole with C clamp, Bolt Through and 80mm Grommet fixing kit with black cap
68V024	White	Vision S 750mm Pole with C clamp, Bolt Through and 80mm Grommet fixing kit with white cap

Vision S Single Head

Code	Colour	Description
68V016*	Silver	Vision S Single Head

Vision^{HD} Single Arm

Code	Colour	Description
68S130	Silver	Single Vision HD pole monitor arm with C clamp, bolt through & grommet mount fixing kit. Supports 10kgs
68S131	Black	Single Vision HD pole monitor arm with C clamp, bolt through & grommet mount fixing kit. Supports 10kgs
68S128	White	Single Vision HD pole monitor arm with C clamp, bolt through & grommet mount fixing kit. Supports 10kgs

Vision^{HD} Double Arm

Code	Colour	Description
68S125	Silver	Double Vision HD pole monitor arm with C clamp, bolt through & grommet mount fixing kit. Supports 2x 10kgs
68S126	Black	Double Vision HD pole monitor arm with C clamp, bolt through & grommet mount fixing kit. Supports 2x 10kgs
68S127	White	Double Vision HD pole monitor arm with C clamp, bolt through & grommet mount fixing kit. Supports 2x 10kgs

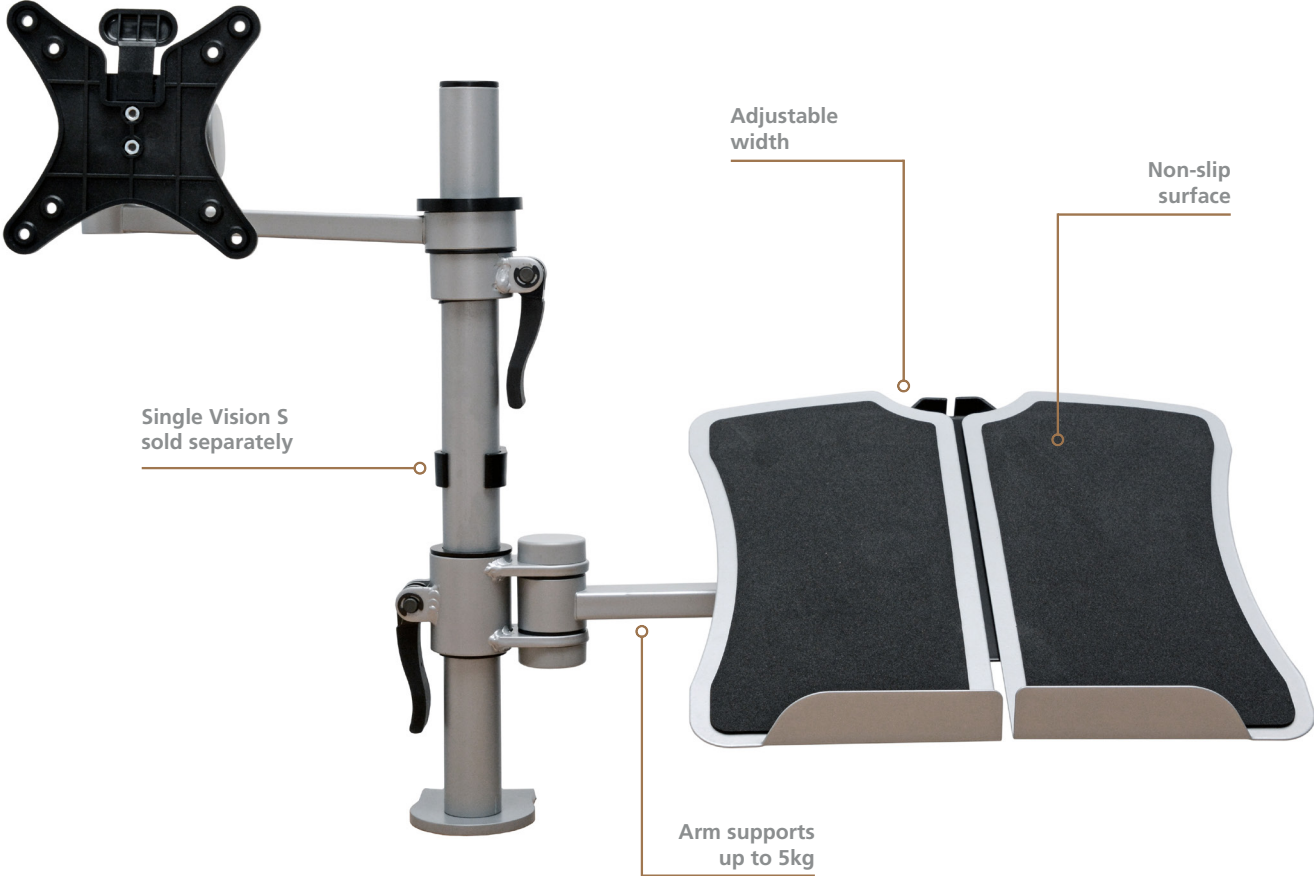
Note: The Vision^{HD} Single and Double have curved arm sections and use a different cable management system to those shown in the images opposite.

Monitor Arms

Laptop Support

Used in conjunction with the Vision S pole arm the laptop holder can be positioned to the side or rotated around the pole. The height of the laptop holder can be adjusted with a simple release mechanism.

ergo solutions



Features

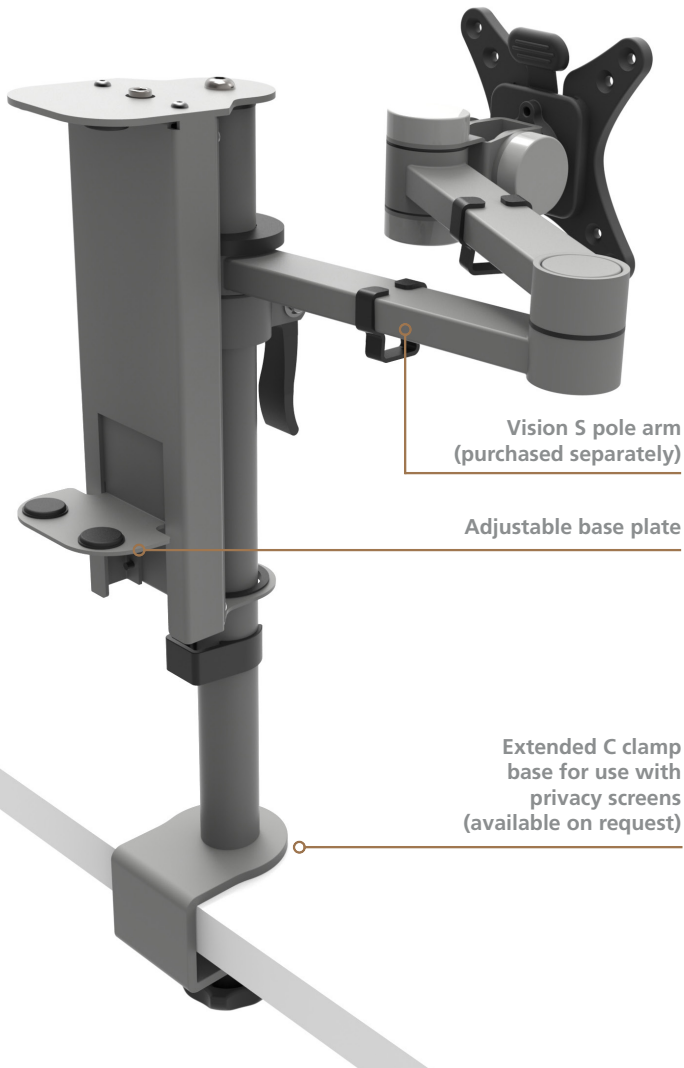
- Laptop holder will hold up to 5kg
- Tray features a non-slip surface with adjustable platforms for wider laptops
- 360° rotation around the Vision pole arm
- 330mm height adjustment range
- 90° pan adjustment
- 40° tilt adjustment range

Code	Colour	Description
68V007	Silver	Vision S Laptop Support with black lever
68V008	Black	Vision S Laptop Support with black lever
68V009	White	Vision S Laptop Support with white lever

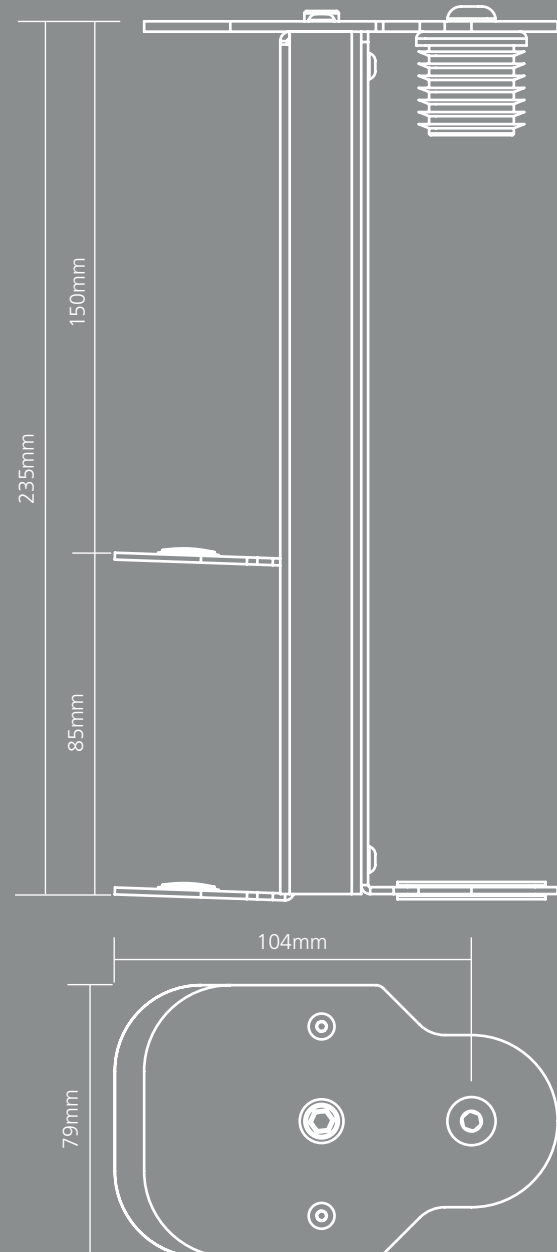
Thin Client

Used in conjunction with the Vision S pole arm our thin client holder can support a variety of thin client sizes. The Vision S pole arm can be supplied with an extended C clamp base if needed to allow the holder to be used with desk privacy screen. Please call for details.

Designed to support thin clients with a minimum height of 150mm, a maximum height of 235mm, maximum width of 300mm and maximum depth of 60mm.



Dimensions



Features

- Easy Fixing - Can be fitted to your existing Vision pole monitor arm or bought together for new installations
- Strong Construction - Constructed from 2mm powder coated steel making this an affordable and robust solution for thin client users
- Versatility - The Vision S thin client holder is fully adjustable and can accommodate a wide range of thin client sizes

Code	Colour	Description
68V061	Silver	Vision S Thin Client Holder
68V062	Black	Vision S Thin Client Holder
68V063	White	Vision S Thin Client Holder

Note: Our Vision S pole arm is not included with our Vision S thin client holder.